



## TRUECHARGE2 BATTERY CHARGER DATASHEET



AVAILABLE IN:

**20A/12V**  
**40A/12V**  
**60A/12V**

### ULTRA-COMPACT, HIGH PERFORMANCE CHARGER FOR WORLDWIDE CHARGING

TRUEcharge2 battery chargers lead the industry with a small footprint and ultra-compact design. In addition to meeting global safety and regulatory standards, TRUEcharge2 battery chargers feature low electrical interference and efficient, power factor corrected multistage charging. Thanks to their inherent drip-proof design characteristics, the TRUEcharge2 chargers can be mounted in multiple positions.

Designed for recreational and commercial applications worldwide, TRUEcharge2 accepts 90–265 Vac, 47–63 Hz which makes traveling abroad and handling poor-quality power a breeze. The easy-to-read display of the TRUEcharge2 20A, 40A, and 60A 12V models can be augmented with an optional remote panel. Each models comes with built-in protection against surges and spikes on the AC power line.



Automatic 3-stage Battery Charger



DC to AC Power Inverting



Included Battery Temperature Sensor



Circuit Breaker Protection

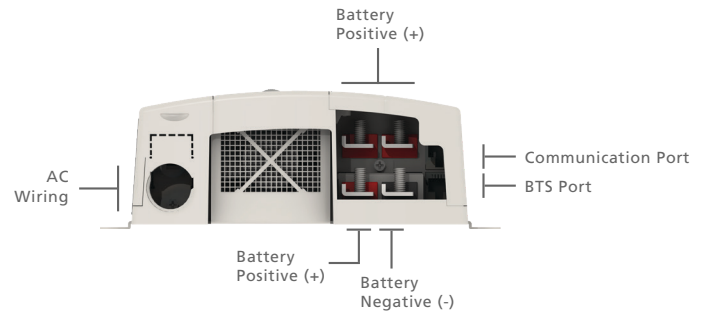
#### APPLICATIONS:



[www.xantrex.com](http://www.xantrex.com)  
CUSTOMER CARE: 1.800.670.0707



FRONT VIEW



BOTTOM VIEW

## PRODUCT FEATURES

- Equipped with parallel stacking (remote panel required)
- Microprocessor-controlled, multistage charging algorithms
- Settings for two and three-stage charging
- Settings for flooded, gel, AGM or lead-calcium batteries
- Battery-equalization feature
- Ability to charge batteries drained to extremely low voltage

## PROTECTION FEATURES

- Reverse battery polarity protection
- Drip-proof design
- DC over-voltage protection
- Over temperature protection

## THREE-STAGE PROTECTION

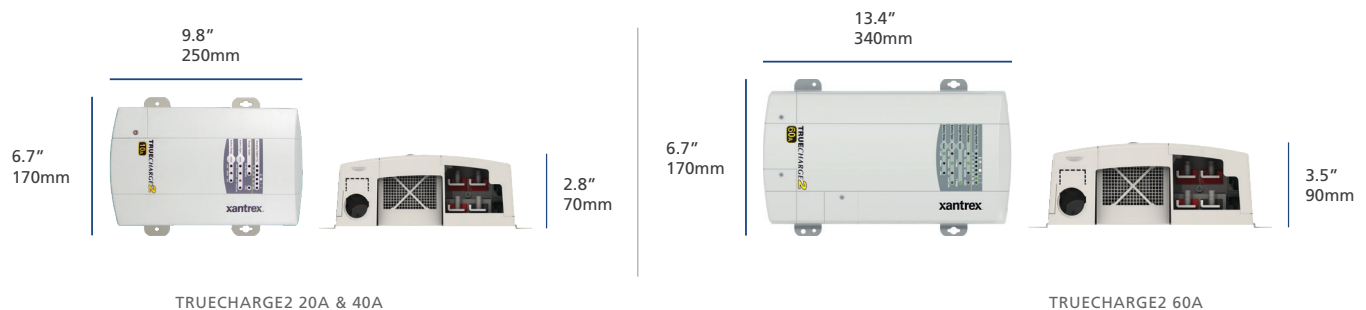
Multistage charging ensures batteries receive optimum charging, but with minimal wear and tear, regulating the voltage and current delivered to the batteries in three automatic stages:

- Bulk: Replaces 70–80% of the battery's state-of-charge at the fastest possible rate
- Absorption: Replenishes the remaining 20–30% of charge, bringing the battery to a full charge at a slow, safe rate
- Float: Voltage is reduced and held constant in order to prevent damage and maintain batteries at a full charge the remaining 20–30% of charge, bringing the battery to a full charge at a slow, safe rate

## POWER FACTOR CORRECTED (PFC) CHARGING

Less shorepower is required for charging batteries, freeing up more usable AC power for running electrical devices and appliances and reducing the likelihood of tripping shorepower breakers

### TRUECHARGE2 BATTERY CHARGER DIMENSIONS



**ELECTRICAL SPECIFICATIONS (@ 25°C unless otherwise noted)**

	TRUEcharge2 20	TRUEcharge2 40	TRUEcharge2 60
Output Current (nominal)	20A	40A	60A
Output Voltage (nominal, depending on settings)			
Charge	14.2 – 15.5Vdc	14.2 – 15.5Vdc	14.2 – 15.5Vdc
Float	13.4 – 13.8Vdc	13.4 – 13.8Vdc	13.4 – 13.8Vdc
Equalize	N/A	N/A	N/A
DC Output Connections	Two	Two	Two
AC Input Voltage*	90 – 265Vac; 47 – 63Hz 120Vac, 230Vac, 240Vac nominal	90 – 265Vac; 47 – 63Hz 120Vac, 230Vac, 240Vac nominal	90 – 265Vac; 47 – 63Hz 120Vac, 230Vac, 240Vac nominal
Temperature Compensation	Three settings	Three settings	Three settings
Charger Efficiency	> 80%	> 80%	> 80%
Battery Type	Gel, Flooded, AGM, Pb-Ca	Gel, Flooded, AGM, Pb-Ca	Gel, Flooded, AGM, Pb-Ca
Minimum Recommended Battery Bank Size	40Ah	80Ah	120Ah

**GENERAL SPECIFICATIONS**

	TRUEcharge2 20	TRUEcharge2 40	TRUEcharge2 60
Operating Temperature Range**	32°F – 149°F (0°C – 65°C)	32°F – 149°F (0°C – 65°C)	32°F – 149°F (0°C – 65°C)
Storage Temperature	-40°F – 176°F (-40°C – 80°C)	-40°F – 176°F (-40°C – 80°C)	-40°F – 176°F (-40°C – 80°C)
Battery Connection	Three positive terminals One negative terminal	Three positive terminals One negative terminal	Three positive terminals One negative terminal
Dimensions (H x W x L)	2.8 x 6.7 x 9.8" (70 x 170 x 250mm)	2.8 x 6.7 x 9.8" (70 x 170 x 250mm)	3.5 x 6.7 x 13.4" (90 x 170 x 340mm)
Weight	3.3lb (1.5kg)	3.3lb (1.5kg)	3.3lb (1.5kg)
Part Number	804-1220-02	804-1240-02	804-1260-02

**REGULATORY APPROVALS**

CSA E60335-2-29, UL1564, and UL1236 including the Marine Supplement and drip test. CE Marked for the Low Voltage Directive (safety) and the EMC Directive. Complies with IEC 60335-2-29 including Australian deviations. Ingress protection rating IP32 per EN/IEC 60529. Complies with FCC Part 15B and Industry Canada ICES-003 Class B emissions limits. Complies with ABYC A-31

Specifications subject to change without notice.

\*90 – 104Vac  $\pm$  4Vac output de-rated to 80% of full load current.

\*\*Output current derates above 50°C (except 40A model which derates above 40°C). Highly Accelerated Life Tested (HALT) to -20°C.

**ACCESSORIES**

Mfg Part #	Description
808-0232-01	BTS (battery temperature sensor)
808-8040-01	Remote Panel

NOTE: Contact Xantrex or your dealer to order these accessories.

**CONTACT****CUSTOMER SERVICE**

1.800.670.0707  
 customerservice@xantrex.com  
 Hours of operation:  
 6:30am - 4:30pm PST, Monday to Friday

 facebook.com/Xantrex

 @Xantrex

 youtube.com/XantrexTechnology

**LEARN MORE ON:**

www.xantrex.com