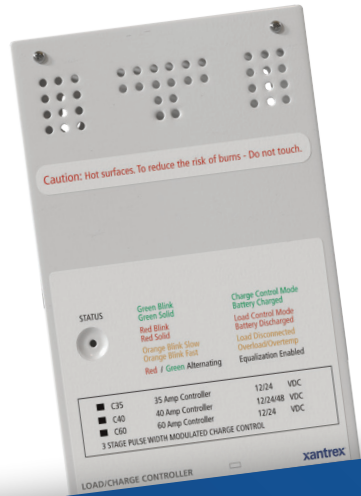


C SERIES PWM CHARGE CONTROLLER DATASHEET



AVAILABLE IN:
1000A
2000A

PV CHARGE, DIVERSION, AND LOAD CONTROLLER

The C35 and C60 are field configurable for 12V and 24V operation. The C40 may be configured for 12V, 24V, or 48V operation. C35, C40 and C60 charge controllers can be used as a charge, diversion, or load controller and come with a standard multi-color charge status LED face plate.



Three-stage Regulation, Solid State, and Pulse Width Modulation



Automatic Equalization



Field Adjustable Control Setpoints



Multi color LED Indicates Operating and Battery Voltage Status

APPLICATIONS:



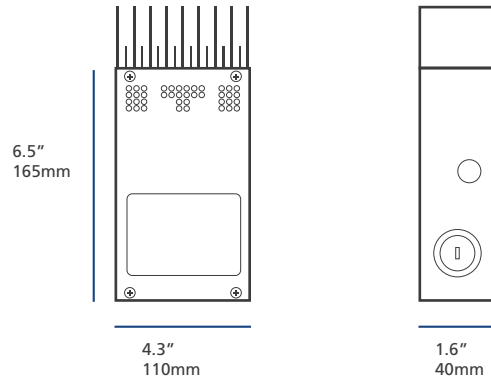
**2 YEAR
WARRANTY**

www.xantrex.com
CUSTOMER CARE: 1.800.670.0707



FRONT VIEW

C SERIES PWM CHARGE CONTROLLER DIMENSIONS



PRODUCT FEATURES

- Improve battery life with pulse width modulated (PWM) multi-stage temperature compensated charging
- PV charge, diversion, load controller
- Automatic lighting controller
- Electronic detection of short-circuit, overload, over- temperature and reverse polarity conditions
- Tolerance to hostile environments with conformal-coated boards and powder-coated enclosure

PROTECTION FEATURES

- Electronic protection against short-circuit, overload, and over-temperature conditions
- Automatically disconnects from the battery at night
- Compatible with negative ground and ungrounded systems

ACCESSORIES

Mfg Part #	Description
CM/R-50	Meter, digital volt, C series remote with 50ft cable
130-004-02-01	Battery temperature sensor with 25ft cable

NOTE: Contact Xantrex or your dealer to order these accessories.

ELECTRICAL SPECIFICATIONS

	C35	C40	C60
Rated PV Current	35A	40A	60A
Charging / Load Current @ 25°C (77°F)	35A	40A	60A
Voltage Configurations	12 and 24V	12, 24, and 48V	12 and 24V
Maximum PV Open Circuit Array Voltage	55V	125V	55V
Maximum Voltage Drop Through Controller	0.3V	0.3V	0.3V
Total Operating Consumption	15mA	15mA	15mA
Recommended NEC Breaker Size	60A rated at 100% continuity	60A rated at 100% continuity	60A rated at 100% continuity
Recommended Wire Size	#6 AWG rated at 90°C (194°F)	#6 AWG rated at 90°C (194°F)	#6 AWG rated at 90°C (194°F)
Lead Acid Battery Settings	Adjustable	Adjustable	Adjustable
NiCd Battery Settings	Adjustable	Adjustable	Adjustable
Load Control Mode	Low voltage reconnect – adjustable (sticker provided with unit) all models Low voltage disconnect – user selectable manual or automatic reconnection – (includes warning flash before disconnect and provides a one time, user selected grace period) all models		

GENERAL SPECIFICATIONS

	C35	C40	C60
Power Consumption (night time)	3mA	3mA	3mA
Enclosure Material	Indoor, ventilated, powder with 2 cm and 2.5 cm knockouts	Indoor, ventilated, powder with 2 cm and 2.5 cm knockouts	Indoor, ventilated, powder with 2 cm and 2.5 cm knockouts
Product Weight	2.7lb (1.2kg)	3.1lb (1.4kg)	3.1lb (1.4kg)
Shipping Weight	3.1lb (1.4kg)	3.5lb (1.6kg)	3.5lb (1.6kg)
Product Dimensions (H x W x L)	8.0 x 5.0 x 2.5in (203 x 127 x 64mm)	8.0 x 5.0 x 2.5in (203 x 127 x 64mm)	8.0 x 5.0 x 2.5in (203 x 127 x 64mm)
Shipping Dimensions (H x W x L)	12.4 x 7.0 x 2.5in (315 x 178 x 64mm)	12.4 x 7.0 x 2.5in (315 x 178 x 64mm)	12.4 x 7.0 x 2.5in (315 x 178 x 64mm)
Device Mounting	Vertical wall mount – indoor only	Vertical wall mount – indoor only	Vertical wall mount – indoor only
Ambient Air Temperature for Operation	32°F to 104°F (0°C to 40°C)	32°F to 104°F (0°C to 40°C)	32°F to 104°F (0°C to 40°C)
Operating Altitude	15000ft (4572m)	15000ft (4572m)	15000ft (4572m)
Non-operating Altitude	50000ft (15240m)	50000ft (15240m)	50000ft (15240m)
Part Number	C35	C40	C60

REGULATORY AND ENVIRONMENTAL COMPLIANCES

Safety	UL listed to UL1741* and CSA 107.1-01; CE Marked for the Low Voltage Directive
EMC	FCC and Industry Canada Class B, CE Marked for the EMC Directive

Specifications are subject to change without notice. *Assembly with optional digital meter is NOT UL listed.

CONTACT

CUSTOMER SERVICE

1.800.670.0707
 customerservice@xantrex.com
 Hours of operation:
 6:30am - 4:30pm PST, Monday to Friday



facebook.com/Xantrex



@Xantrex



youtube.com/XantrexTechnology

LEARN MORE ON:

www.xantrex.com