

Xantrex ComBox App Quickstart Guide

<http://www.xantrex.com>



HAZARD OF FIRE, ELECTRIC SHOCK, EXPLOSION, OR ARC FLASH

This Xantrex ComBox App Quickstart Guide is in addition to, and incorporates by reference, the relevant product manuals for each product in the power system. After reviewing this guide you must read the relevant product manuals. Unless specified, information on safety, specifications, installation, and operation is as shown in the primary documentation received with the product. Ensure you are familiar with that information before proceeding.

Failure to follow these instructions will result in death or serious injury.

Exclusion for Documentation

UNLESS SPECIFICALLY AGREED TO IN WRITING, SELLER (A) MAKES NO WARRANTY AS TO THE ACCURACY, SUFFICIENCY OR SUITABILITY OF ANY TECHNICAL OR OTHER INFORMATION PROVIDED IN ITS MANUALS OR OTHER DOCUMENTATION; (B) ASSUMES NO RESPONSIBILITY OR LIABILITY FOR LOSSES, DAMAGES, COSTS OR EXPENSES, WHETHER SPECIAL, DIRECT, INDIRECT, CONSEQUENTIAL OR INCIDENTAL, WHICH MIGHT ARISE OUT OF THE USE OF SUCH INFORMATION. THE USE OF ANY SUCH INFORMATION WILL BE ENTIRELY AT THE USER'S RISK; AND (C) REMINDS YOU THAT IF THIS MANUAL IS IN ANY LANGUAGE OTHER THAN ENGLISH, ALTHOUGH STEPS HAVE BEEN TAKEN TO MAINTAIN THE ACCURACY OF THE TRANSLATION, THE ACCURACY CANNOT BE GUARANTEED. APPROVED CONTENT IS CONTAINED WITH THE ENGLISH LANGUAGE VERSION WHICH IS POSTED AT [HTTP://WWW.XANTREX.COM](http://www.xantrex.com).

Contact Information

Telephone: +1-800-670-0707 / +1-408-987-6030
Email: customerservice@xantrex.com,
<http://www.xantrex.com/power-products-support/>
Web: <http://www.xantrex.com>

1

Introduction

The Xantrex ComBox lets you configure the power system and devices, monitor system performance, and access system and device data logs.

The Xantrex ComBox App is a web-based application that is available for use in Android tablets. The app interfaces with the Xantrex ComBox monitoring device via a common wi-fi network connection.

Download the App

1. Download the ComBox App to your Android tablet through Google Play Store.
2. Make sure the Xantrex ComBox is powered and the Android tablet connects to the same wi-fi network as the Xantrex ComBox.
3. Launch the ComBox App and allow it to auto discover the Xantrex ComBox.
4. Click the discovered Xantrex ComBox. See example below.



2

Device Settings

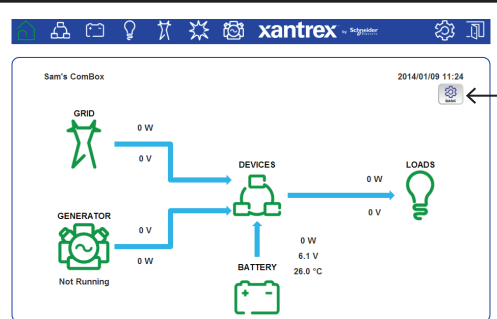
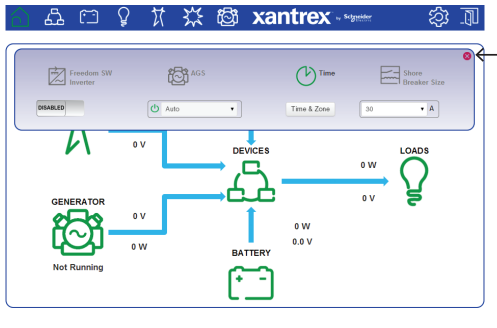
After discovering the Xantrex ComBox with the ComBox App, the next step is to configure device settings and connect to Xanbus.

Configuring Device Settings

1. Enter your User Name and Password.

 Conext ComBox - Freedom SW <small>B12740260</small>	Admin Account User Name: <i>admin</i> Password: <i>password</i>
User name: <input type="text"/> Password: <input type="password"/> <input type="button" value="Log In"/> Recover Lost Password	User Account: User Name: <i>user</i> Password: <i>user</i>

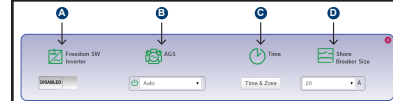
2. After a successful log in, the following screen appears.

The Xantrex ComBox Home screen displays all connected devices.

(A)	Basic Settings button
(B)	Close button

3. Click the Basic Settings button to display the control panel.
4. In the control panel, adjust the other basic settings as needed and click the close button when done.

A	B	C	D	
				(A) Turns the inverter on and off. When enabled, the AC loads connected to the inverter receive power. When disabled, the loads receive AC power only when the system is connected to shore power. If there are two inverter/chargers, this setting applies to both devices.
				(B) Starts or stops the generator. <ul style="list-style-type: none"> • Auto: automatic start/stop based on triggers selected in the Freedom SW AGS • Manual On: overrides Auto start • Manual Off: overrides Auto stop
				(C) Sets the appropriate time and time zone for synchronizing the ComBox and SCP (System Control Panel) internal clocks.
				(D) Sets the amperage limit for the AC shore breaker. If the system has both a Freedom Sequence and a Freedom SW inverter/charger installed, this setting applies to both devices. If the system does not have a Freedom Sequence, then only the Freedom SW shore breaker size is set.