

TRUEcharge3 REMOTE PANEL



- Full function compatibility with TRUEcharge3 battery chargers
- Provides additional features inaccessible via charger's onboard display
 - Allows charger to be powered on or placed into standby while AC power is connected
 - Adjust maximum charger output current
 - Displays individual battery bank status
 - Connects two TRUEcharge3 chargers in parallel for up to 2x the output current
- FCC Class B compliant

PART # 808-8040-10



COMPATIBLE WITH ALL TRUEcharge3 BATTERY CHARGERS

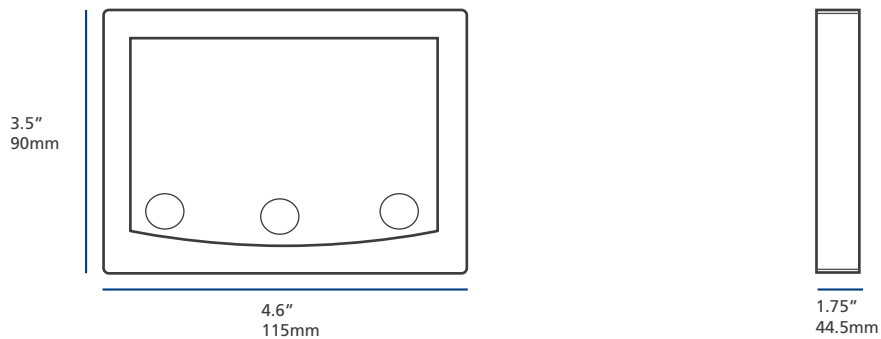
TRUEcharge3 12 V

804-1220-10, 804-1240-10, 804-1260-10

TRUEcharge3 24 V

804-2410-10, 804-2420-10, 804-2430-10

TRUEcharge3 REMOTE PANEL DIMENSIONS



CONTACT

CUSTOMER SERVICE

1.800.670.0707
customerservice@xantrex.com

Hours of operation:
6:30am - 4:30pm PT, Monday to Friday

 facebook.com/Xantrex

 @Xantrex

 youtube.com/XantrexTechnology

LEARN MORE ON:

www.xantrex.com